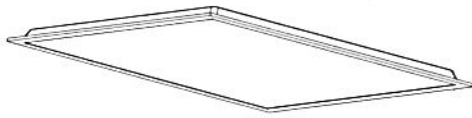


LED BACKLIT PANEL LIGHT



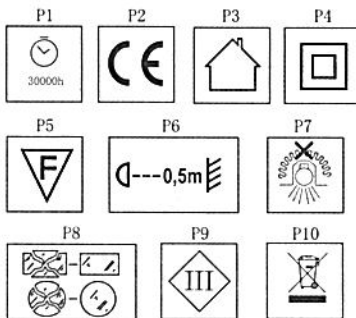
Features:

It adopts super bright LED as its luminous body. The aluminum frame is stylish and fashionable with everlasting color. It is powered by low voltage constant current driver, which is safety, energy-saving and long life.

Excellent thermal management can effectively guarantee the LED's long-term stability. The panel has its own advantages with the light even, soft and high transmittance. Instant start, no flickering, no humming. No hazardous material (mercury, lead).

The installation is very easy, it can be inserted into the ceiling directly, and it also can be hanging down by using the lifting hole on the back.

EXPLANATIONS OF SYMBOLS USED



P1: Rated durability

P2: Products meets the requirements of EU directives

P3: Use only indoors

P4: Class II for whole products. A product in which protection against electric shock is provided not only through basic insulation, but also double or reinforced insulation.

P5: This symbol means that the product can be installed and operated in/on a surface made of materials which are normally flammable.

P6: The symbol describes the minimal distance of a light fixture (its light source) from the spots and objects that it's illuminating.

P7: The product not suitable for covering with heat-insulating material.

P8: The chipped globe, screen or protective shield must be replaced immediately. Immediately stop using the product if the outer bulb is cracked or broken.

P9: Class III for luminaire parts. A product in which protection against electric shock is provided by feeding it with very low safe voltage (SELV) with no risk of creating higher than safe voltage.

ENVIRONMENTAL PROTECTION

Keep your environment clean. Segregation of post-packaging waste is recommended.

P10: This labelling indicates the requirement to selectively collect waste electronic and electrical equipment. Products labelled in this way must not be disposed of in the same way as other waste under the threat of a fine. These products may be harmful to the natural environment and health, and require a special form of recycling/neutralizing. Products labelled in this way should be returned to a collection facility for waste electrical and electronic goods. Information on collection centres is provided by local authorities or sellers of such goods. Used items can also be returned to the seller when new product is purchased, in quantity no larger than the purchased item of the same type. The above rules regard the EU area. In the case of other countries, regulations in force in a given country must be applied. Contacting the distributor of our products in a given area is recommended.

MOUNTING/MAINTENANCE

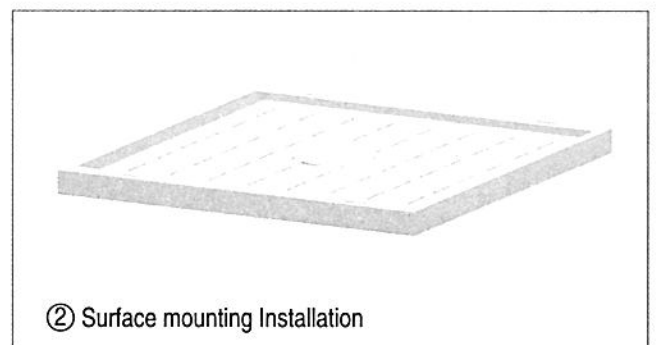
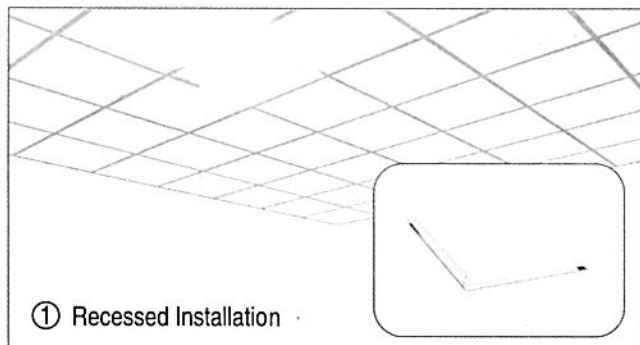
Read the manual before mounting. Product for indoor use only.

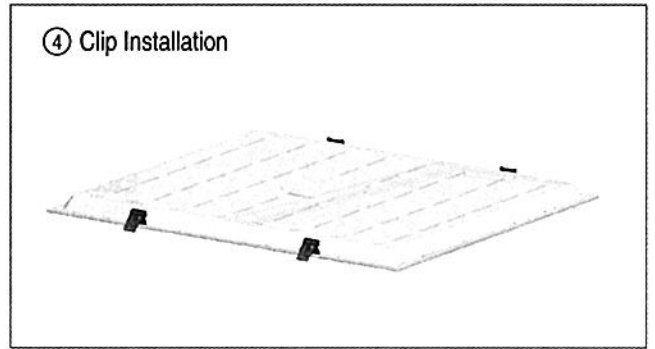
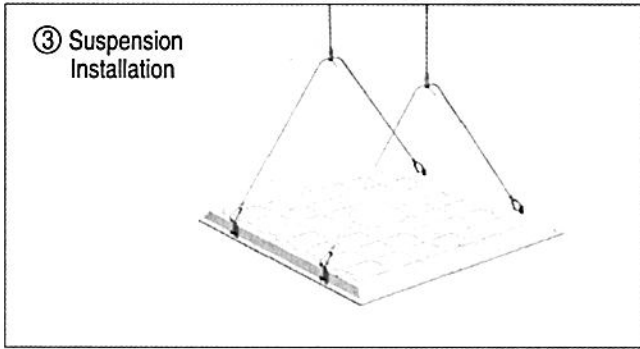
Mounting and Maintenance should be performed by an appropriately qualified person.

Any activities to be done with disconnected power supply.

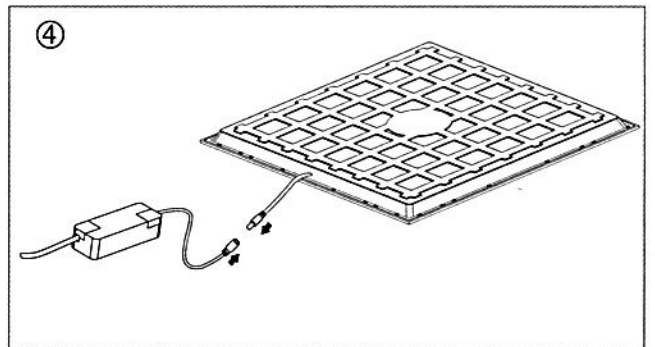
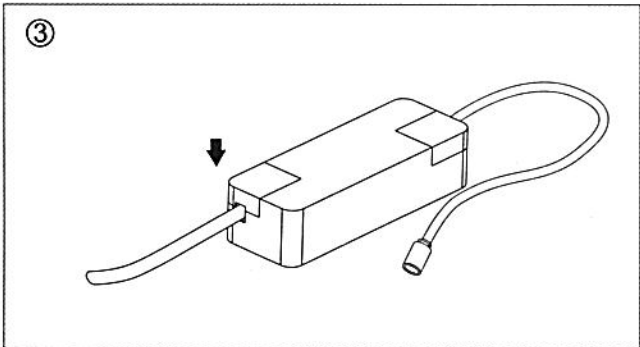
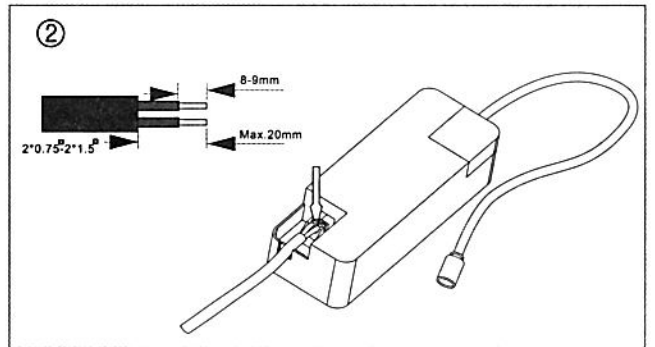
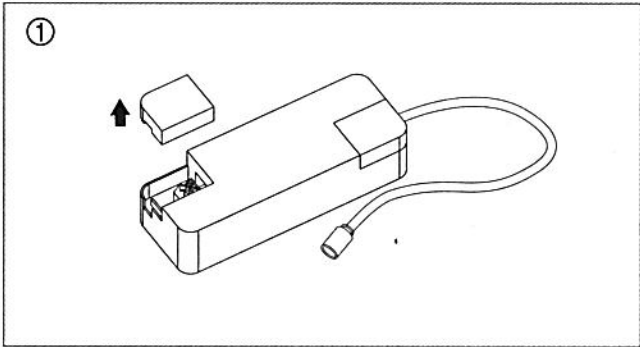
Product with non-replaceable light source of the LED type. Product can not be fixed if the light source becomes damaged. Don't look directly at LED light beam.

INSTALLATION





CONNECTING



Warning



- * DO NOT hit or press the exterior surface with external force or heavy objects, to avoid the housing being deformed! Or else, the lighting effect will be affected!
- * Stacking the fixture without packaging to over 10 pcs is not allowed.
- * To avoid electric shock, keep power off before installation and maintenance.
- * Working out of temp. range -20°C ~ +40°C will shorten the lifetime of luminaires.